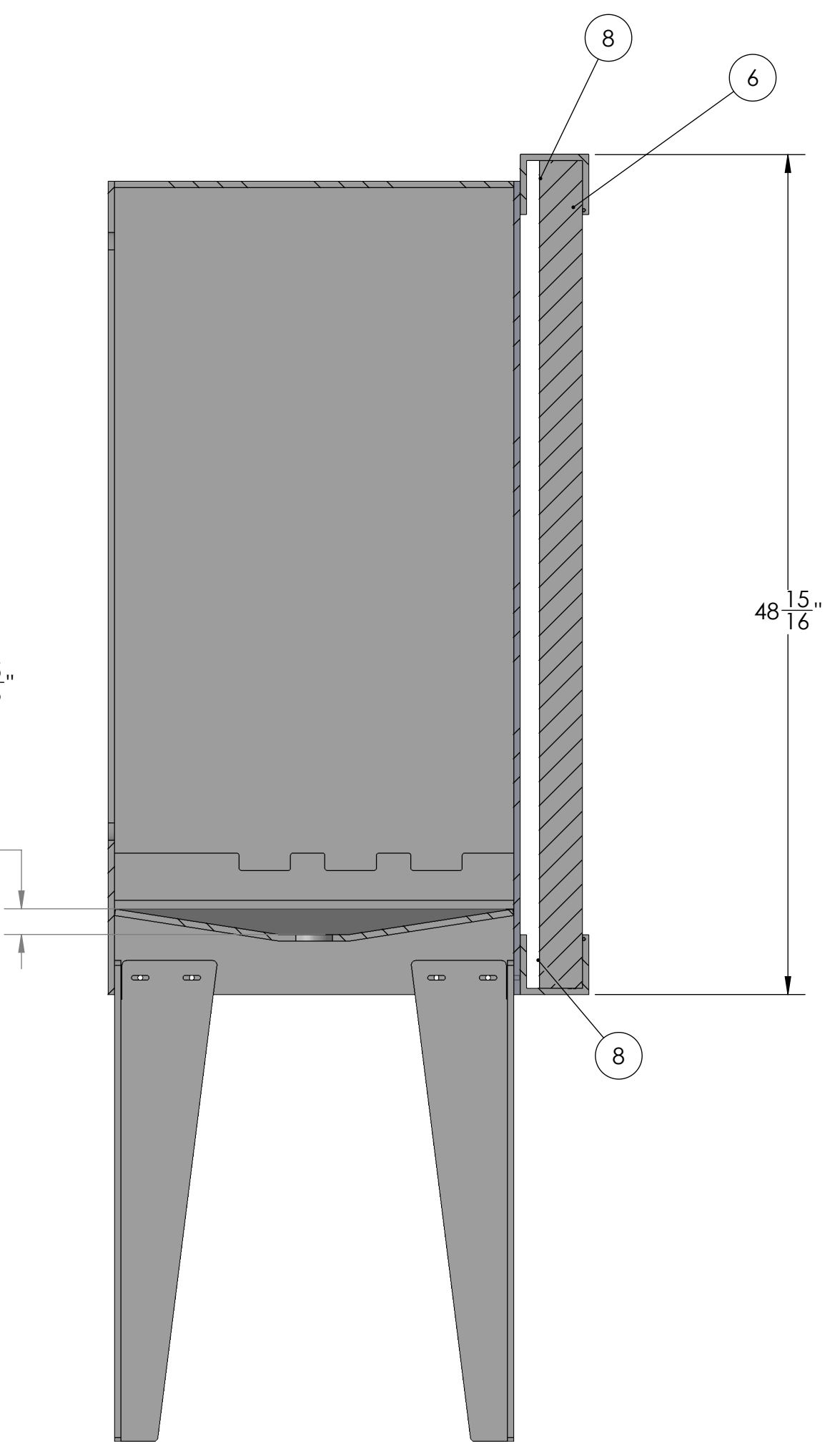
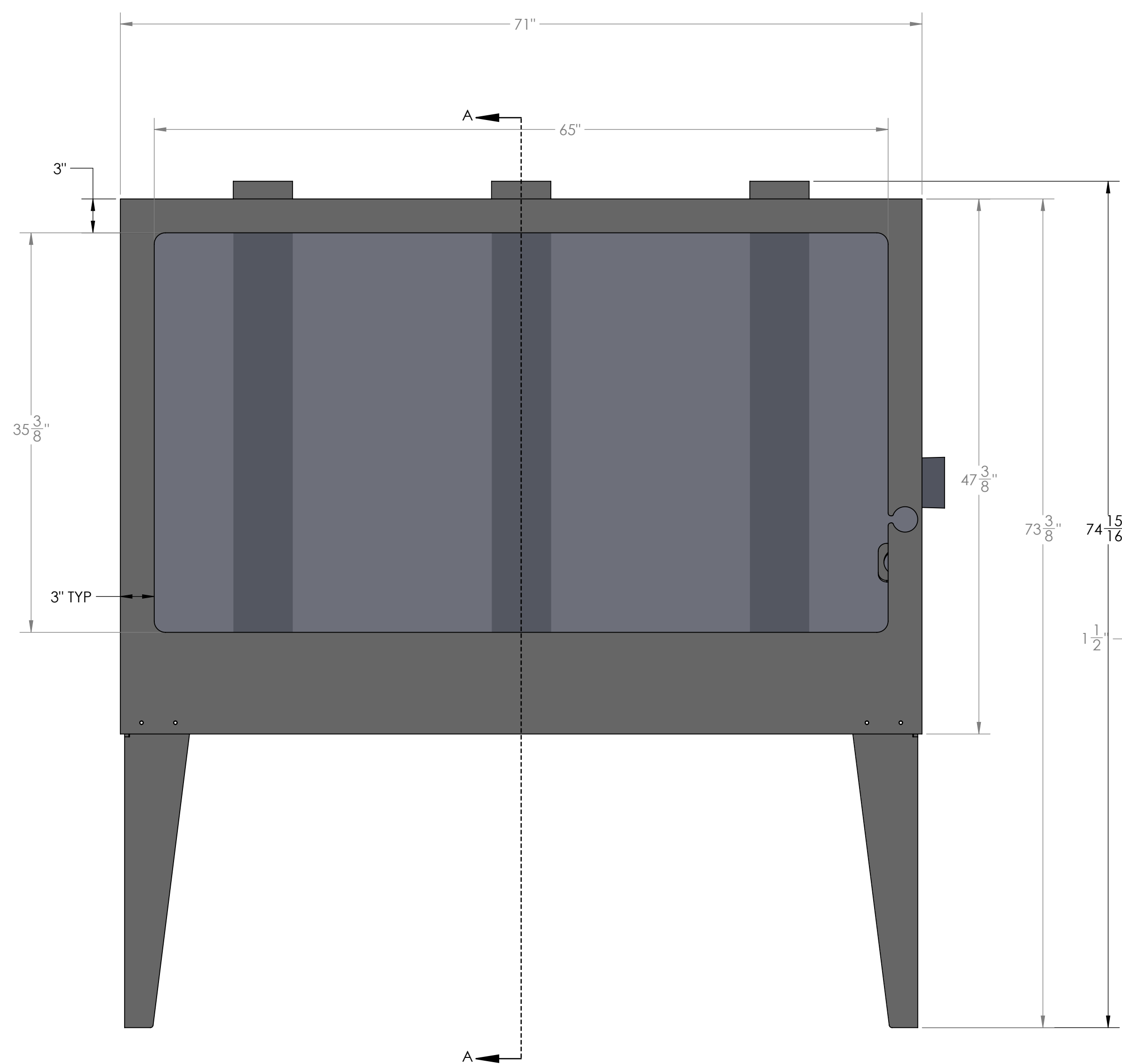
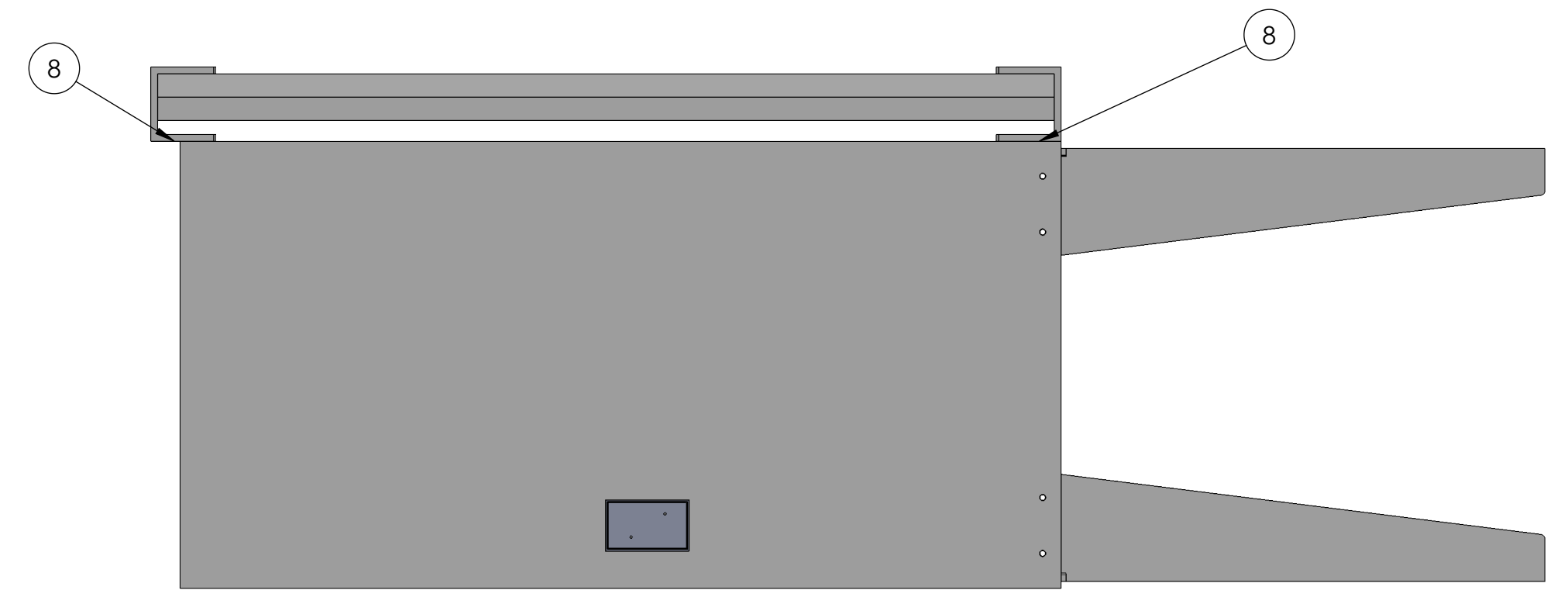
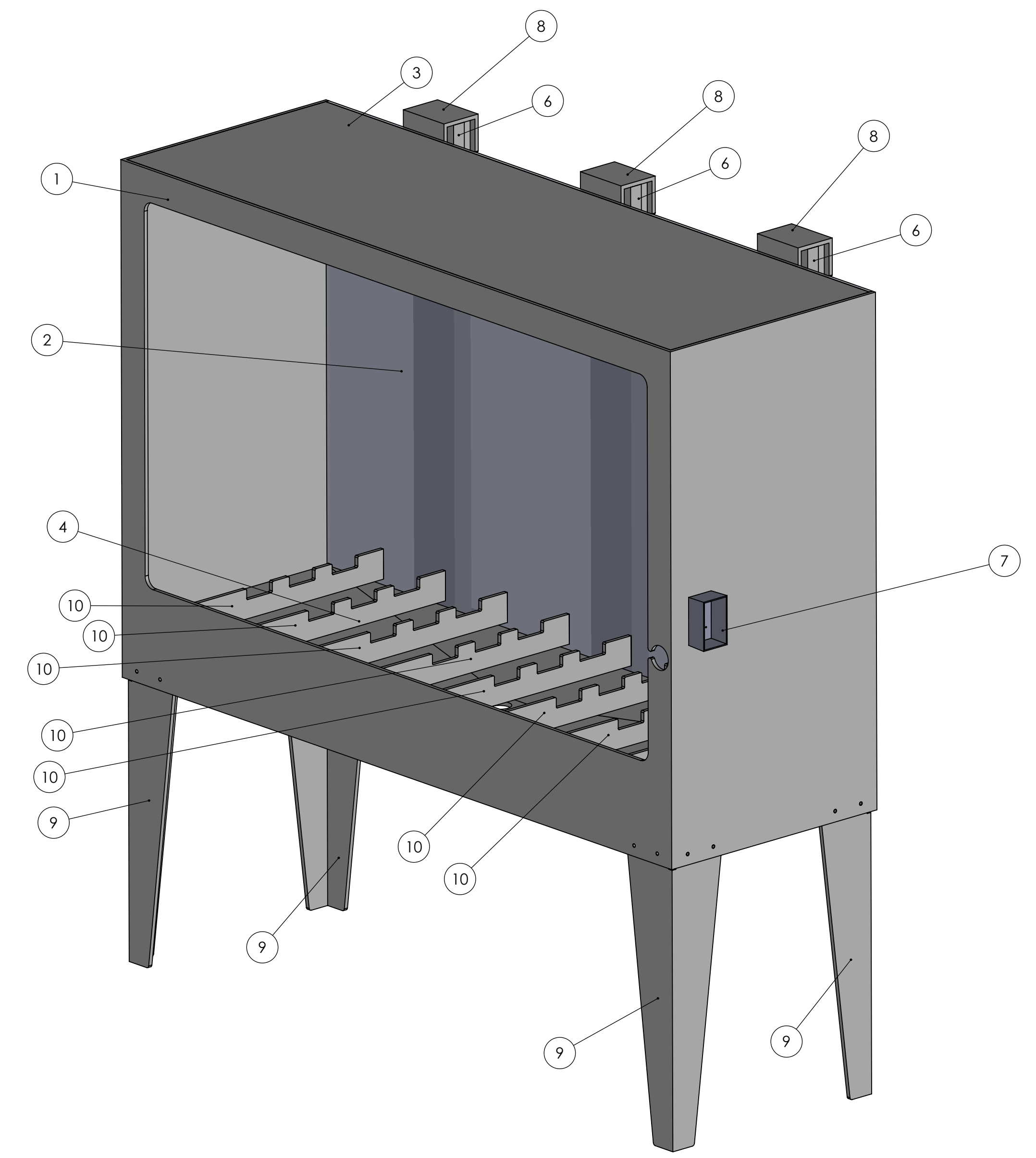


TOP PANEL TAKEN OFF FOR CLARITY



SECTION A-A  
SCALE 1 : 8



6 5 4 3 2 1

D

D

C

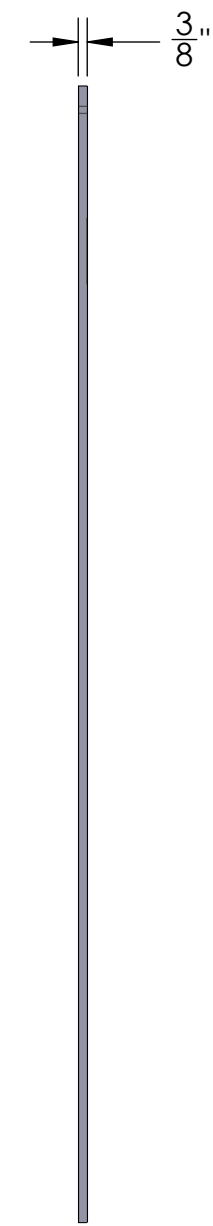
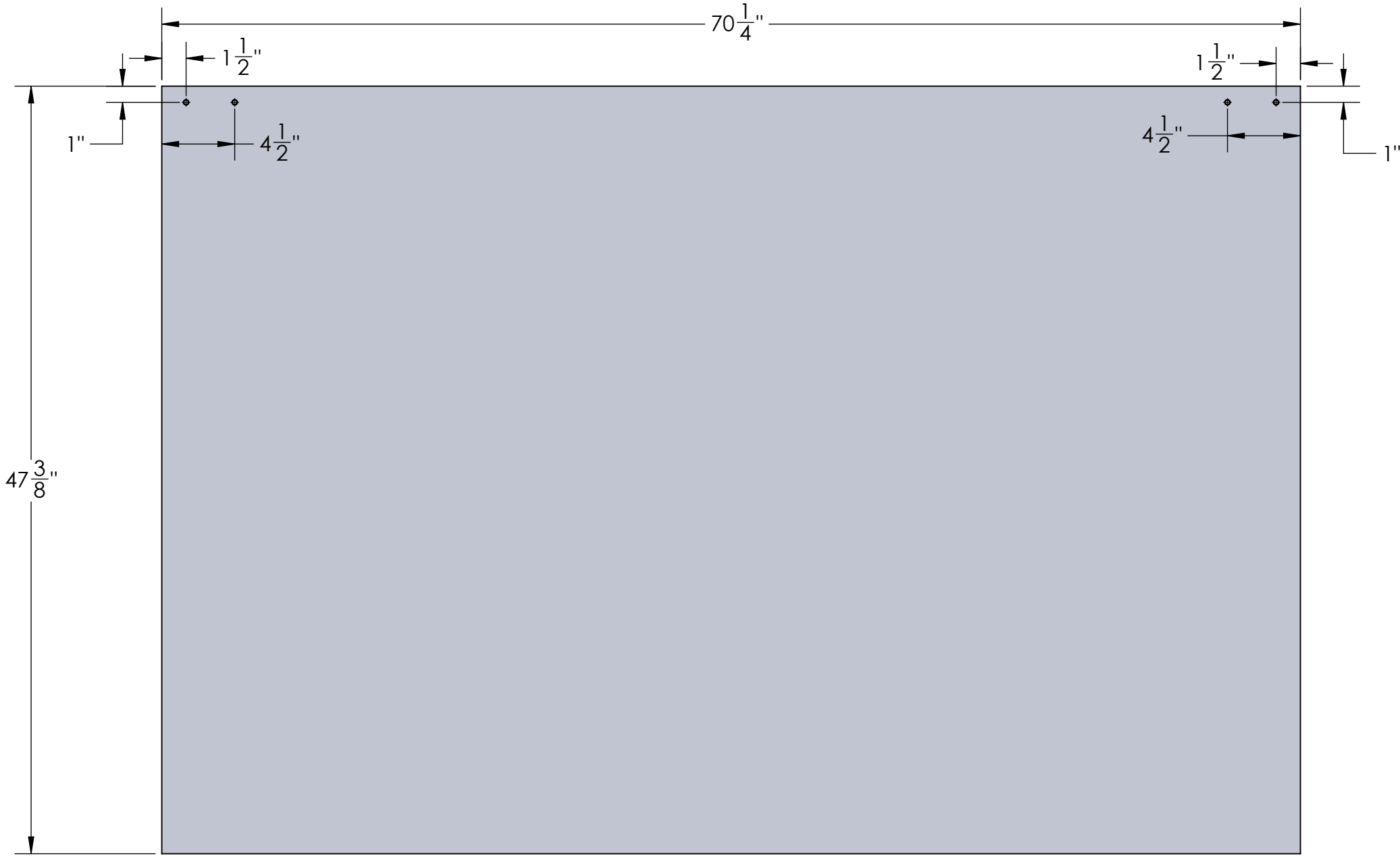
C

B

B

A

A



**E-72-00-002**  
**Material: POLYPROPYLENE - NATURAL**  
**Description: Back Panel**



6 5 4 3 2 1