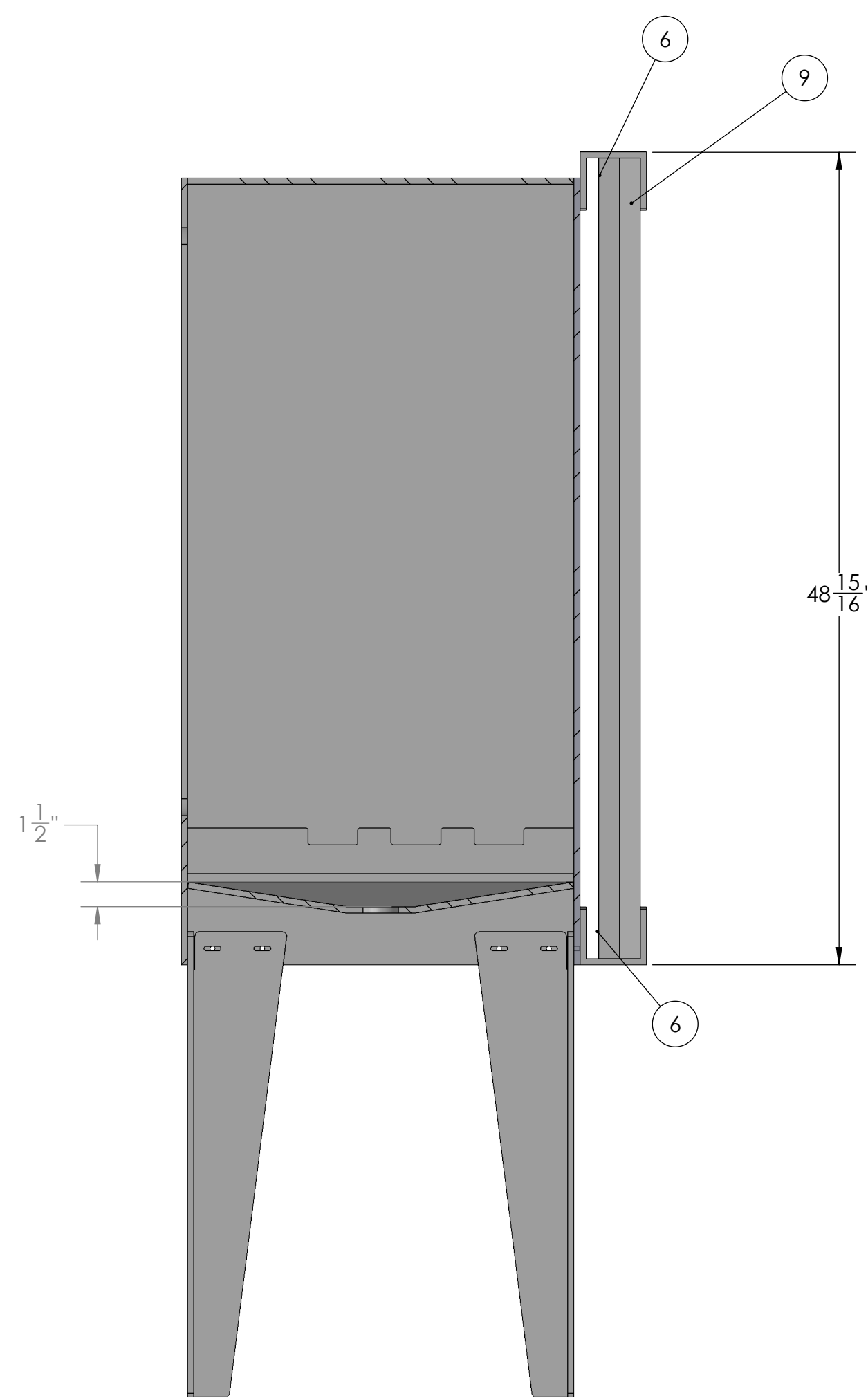
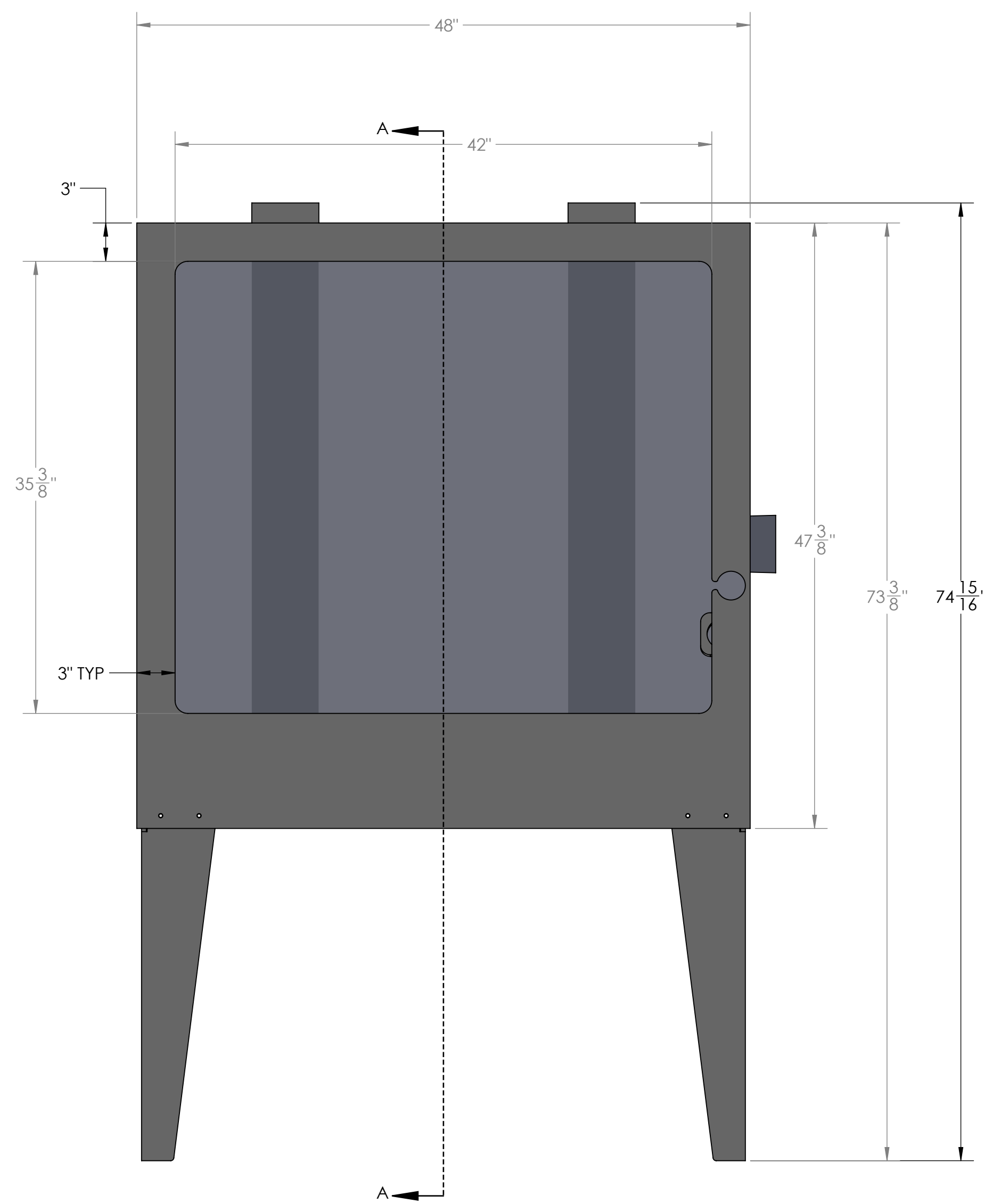
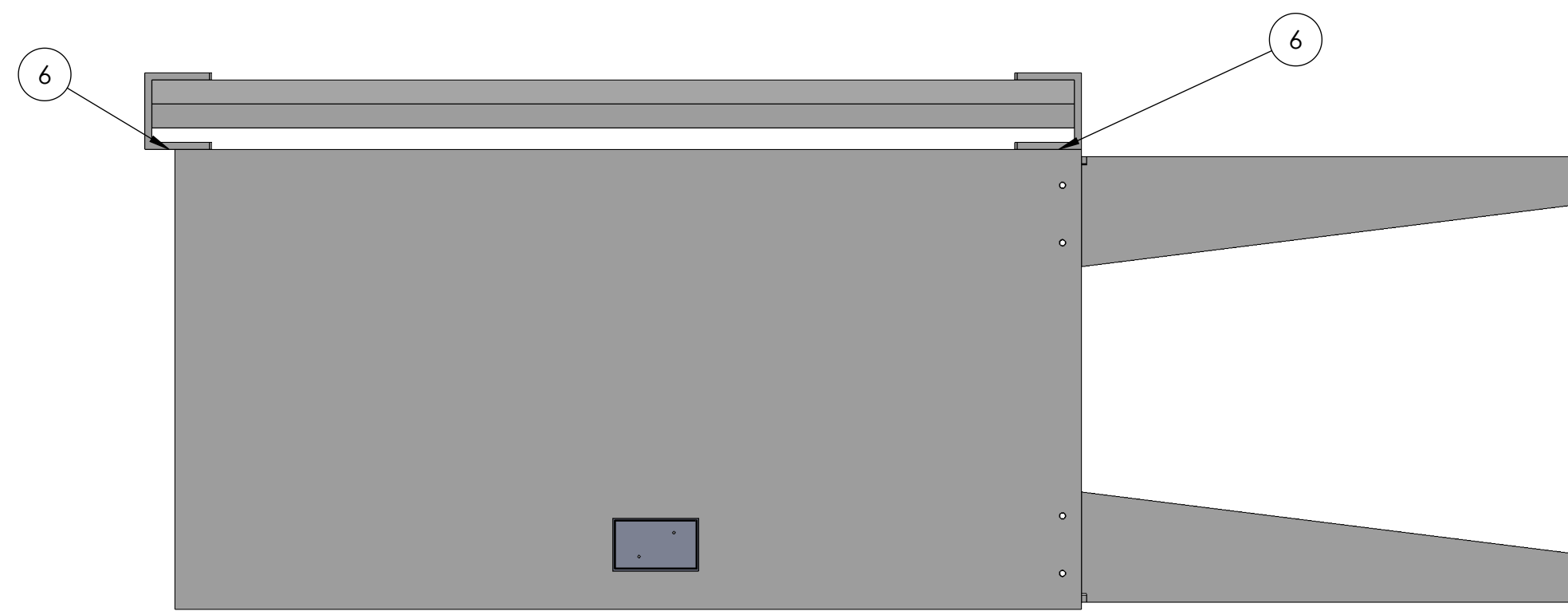
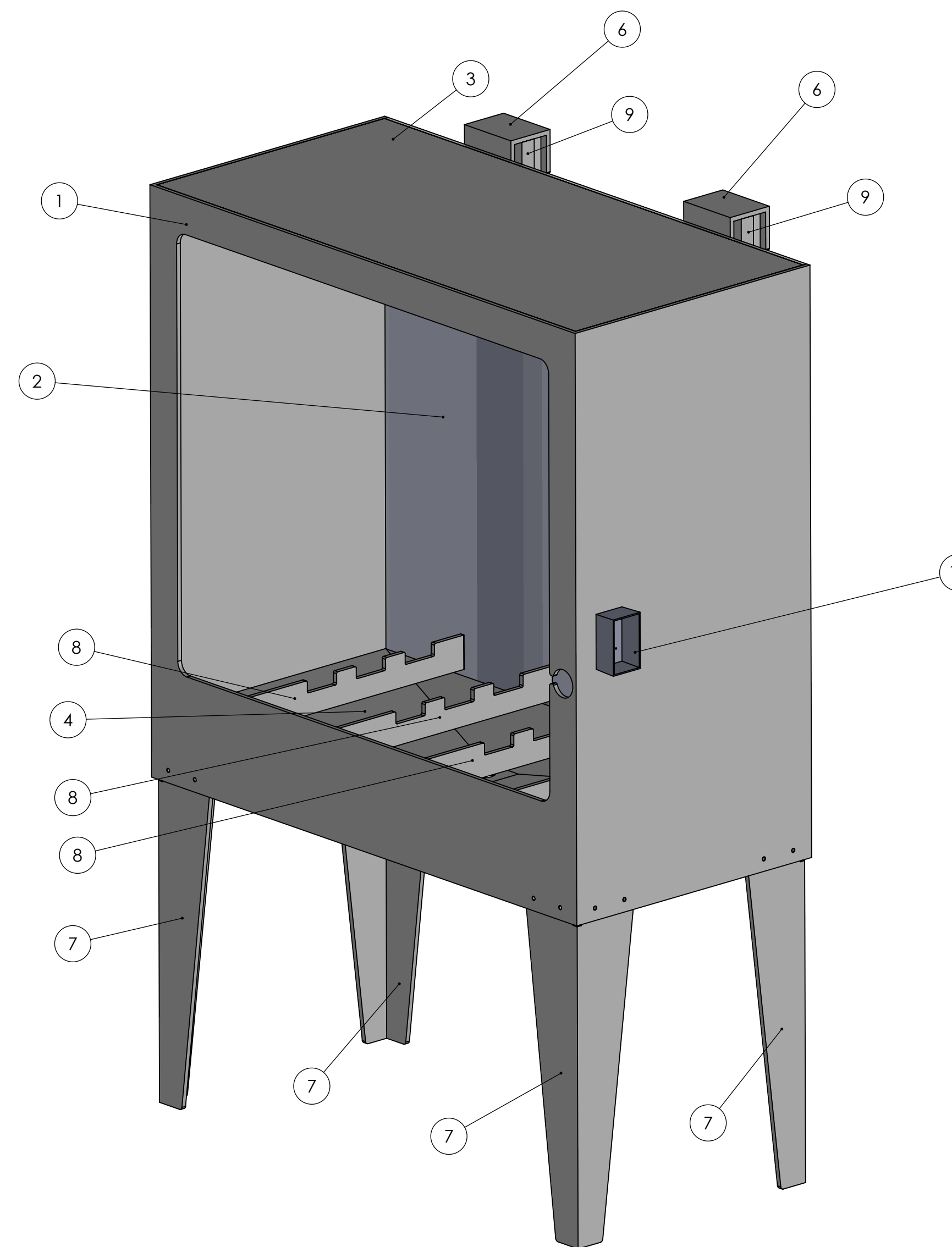


TOP PANEL TAKEN OFF FOR CLARITY



SECTION A-A
SCALE 1 : 8



6 5 4 3 2 1

D

D

C

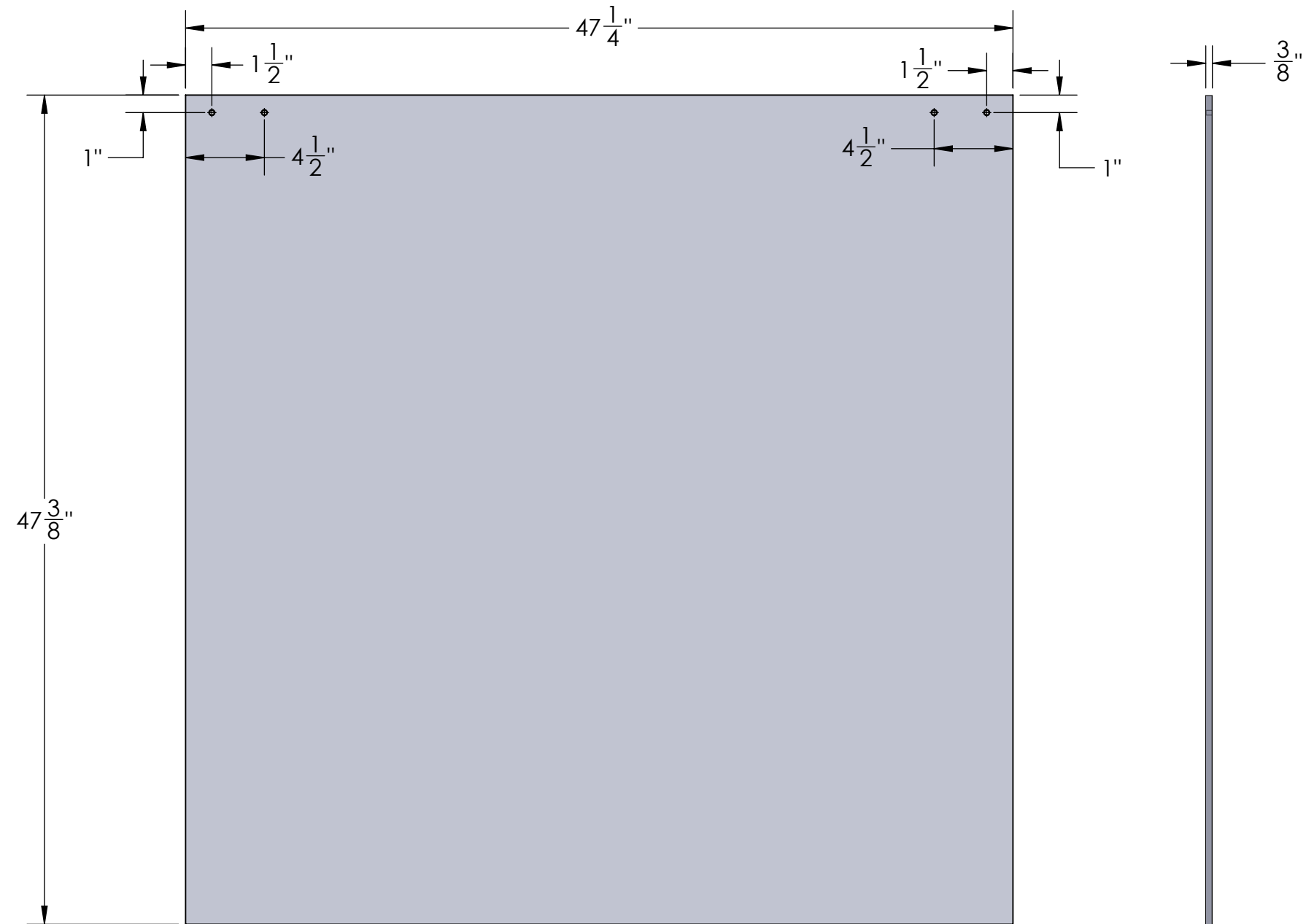
C

B

B

A

A



E-48-00-002
Material: POLYPROPYLENE - NATURAL
Description: Back Panel

